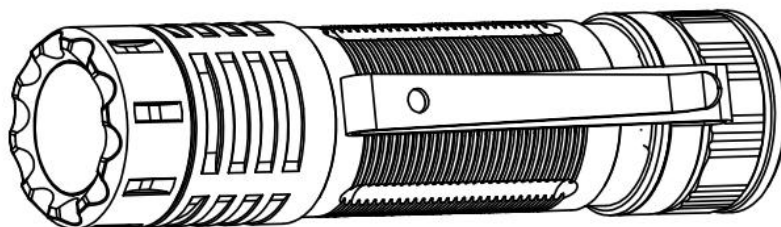


Sofirn SC32 Manual



Sofirn SC32 provides an unparalleled output from 1 lumen to 2000 lumens widely used from night reading to outdoor searching, making SC32 a practical companion for everyday use. It features a tail switch to prevent it from accidentally turning on. The equipped Type-C rechargeable function makes SC32 much more convenient to charge the 18650 battery inside the tube without taking the battery out.

ANSI/NEMA FL1 Chart

Mode	Turbo	High	Medium	Low	Moon	Strobe
Luminous Flux	2000Lm	900 Lm	450 Lm	90 Lm	1 Lm	2000Lm
Runtime	1h 50min	2h 23min	4h 12min	17h	>500h	-
Distance	214 m	150 m	104m	48 m	6 m	-
Intensity	11425 cd	5600 cd	2725 cd	600 cd	9 cd	11425 cd
Impact resistance	1 meter / 3.28 feet					
Waterproof	IPX-8 (up to 2 meter under water, not for diving)					
Note	The above mentioned parameters are based on tests according to international flashlight testing standards (ANSI/NEMA FL1) using one 3300mAh 18650 Li-ion battery in our laboratory. Results					

may vary with different battery or under different environmental conditions.

Specifications

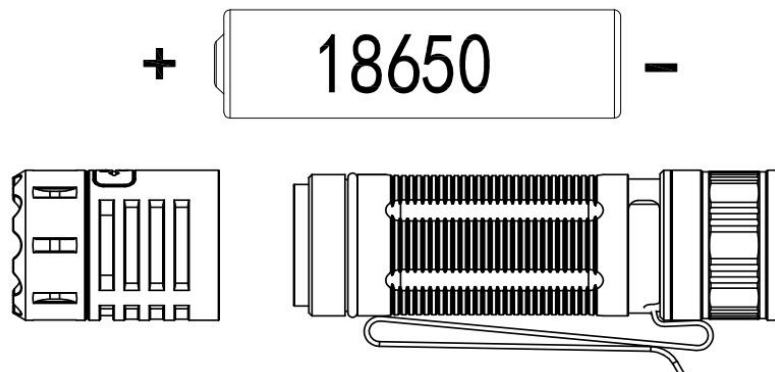
- ❖ 1 X LUMINUS SST-40 LED
- ❖ Working Voltage: 2.8V - 4.2V
- ❖ Battery Options: 1 X 18650 Li-ion battery
- ❖ Dimension: 100mm (length) × 25mm (head diameter)
- ❖ Weight: 57g (without battery)
- ❖ Flashlight body: Aerospace grade 6061 grade aluminum alloy
- ❖ Fresnel lens
- ❖ IPX8 Waterproof
- ❖ USB Type-C Charging (support USB Type-C to USB Type-C Charging)
- ❖ Advanced Temperature Regulation (ATR) technology: ATR will adjust the brightness level automatically when the driver temperature reaches 55°C (122 °F) to prevent overheating.
- ❖ Reverse polarity protection: it protects while battery inserted improperly.
- ❖ LVP: while on, if the battery voltage is low, it turns off automatically.
- ❖ If battery doesn't have enough power when turn on, the LED indicator will flash red to signal critical power.

Battery Installation--尾盖封死了，不能拧松

Before first use, **please unscrew the tailcap and remove the insulating film**. If the battery needs to be replaced, make sure that the positive end of the new battery faces the flashlight head when you put it in. Both unprotected or protected button top 18650 batteries are supported.

Battery Availability

Battery Type	Dimension & Quantity	Compatibility
Rechargeable Li-ion battery	18650 x 1 (protected/unprotected)	Yes



Power Indicator

The battery level indicator on the right side of USB type-C input port shows the power status for 5 seconds after turning SC32 on.

Green = remaining battery level is good

Red = remaining battery power is poor.

Flashing Red = critical battery level, please replace or recharge battery as soon as possible.

Charging

SC32 features a USB-C charging port for convenient charging. Please connect it with the included USB-A to USB-C cable and use a USB power adapter (not included) with 5V/2A. It takes 2.5 hours to fully charge one 3300mAh 18650 battery. It also support USB Type-C to USB Type-C charging.

Safety Instructions

- ❖ SC32 is a powerful flashlight. Never point it directly at a person, animal or moving vehicles. Doing so could cause retinal damage. Please do not allow children to play with it. Strobe mode may cause seizure in persons with photosensitive epilepsy.
- ❖ Operating SC32 for a long time in high powered modes will quickly heat up the flashlight. This is normal.
- ❖ Don't activate turbo mode repeatedly under high temperature to prevent the flashlight body from overheating and hurting the user's hand.
- ❖ Pay close attention to the proper installation of the battery. Always check that the negative end of the battery is visible at the tube's end before screwing the tailcap back on.
- ❖ Avoid hitting or dropping the flashlight.

Operation Instructions

- ❖ GROUP 1

ON/OFF: Single click the switch to turn the light

CHANGE BRIGHTNESS LEVEL: When the flashlight is on, press and hold the switch and it will, starting from the remembered brightness level, automatically cycle through Low, Medium, and High mode. The mode is selected when the switch has been released. (Please note: Moon, Turbo and Strobe are not in the automatic cycle).

TURBO AND RETURN: when the flashlight is on, double click on the switch to enter into Turbo, single click again to return.

STROBE AND RETURN: when the flashlight is on, triple click on the switch to enter into Strobe, single click again to return.

MOONLIGHT MODE: When the flashlight is on Turbo, double click on the switch to enter into Moon. Then double click on the switch to return to Turbo.

LOCK/UNLOCK: When the flashlight is off, 4 fast clicks to lock the flashlight. LED blinks twice to signal that the light is in lock mode. Another fast four click on the switch to unlock it returning to previously used mode. You can only use moonlight by holding the switch while being locked. LED will

flash twice to indicate the flashlight is in lock mode when you try other operations.

ON/OFF. When the light is turned on again, it will return to the previously memorized mode. Turbo and Strobe are not in the memory mode.

When the flashlight is off, press and hold the switch to access the Moon. Single click to turn off, or hold and press to access Low cycling through Low, Medium, and High.

SWITCH BETWEEN DIFFERENT GROUPS

While flashlight is on, fast four clicks to switch between group 1 and group 2. LED blinks twice to signal that the group switch is completed.

❖ GROUP 2

When the flashlight is off, single click the switch to turn the light on.

CHANGE BRIGHTNESS LEVEL: Hold and press the switch to change brightness steplessly. Ramping changes its direction when the button is being pressed again within 1.5 seconds. The LED flashes once when it reaches the lower or upper end of the ramp.

Other operations are the same as GROUP 1.

Troubleshooting and Maintenance

- ❖ Disassembling the sealed head can damage flashlight and voids warranty.
- ❖ Sofirn, Ltd. recommends using high-quality brand batteries. Damage by battery leakage voids warranty.
- ❖ Remove battery if the flashlight will not be used for an extended period of time.
- ❖ To prevent accidental activation during storage or transportation, unscrew the head by half a turn or remove battery.
- ❖ Every 6 months threads should be wiped with a clean cloth followed by a thin layer of silicone grease.
- ❖ To maintain a proper level of waterproofness, replace worn-out o-rings with an approved spare (2 pieces are shipped with initial order).

- ❖ Troubleshooting: Cleaning battery contacts regularly as dirty contacts may impair the performance of the flashlight. If you experience problems (flicker, shine intermittently or failure turn on) the following root causes and solutions should be tried:

Reason A: The battery needs replacement (Battery voltage is below 2.8V).

Solution: Replace battery with an approved type of fully charged battery.

Reason B: Threads, PCB board contact or other contacts are dirty.

Solutions: Please clean the contact points with a cotton swab soaked in rubbing alcohol.

If the above methods do not work please refer to the warranty policy before contacting your authorized

distributor.

YOFLIC INDIA PRIVATE LIMITED:

Web: www.yoflic.com

E-mail: help@yoflic.com

Please contact us if you have any questions.

If your product is defective please contact us for replacement within warranty period.